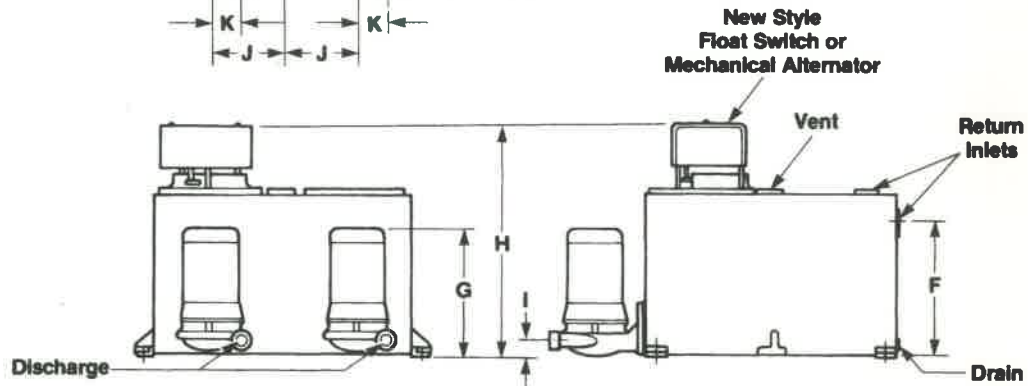


Duplex Unit Shown with Steel Receiver



**DIMENSIONAL DATA — VC, VJ and VE Pumps with Cast Iron or Steel Rectangular Receivers**

CAP. SQ. FT. E.D.R.	RECEIVER CAP. GALS	APPROXIMATE DIMENSIONS										
		A	B	C	D	E	F	G	H	I	J	K
<b>CAST IRON MODELS VCS, VJS, VES</b>												
1,000 to 4,000	15	15	17½	19½	⌀	28	13	16 to 19	22	4	5¼	4
1,000 to 15,000	21	21	22¾	26	14¾	34	10¼ or Top	16 to 21	19½	4	6	4
20,000 to 30,000	45	26	26¾	28¾	20	39	15	16 to 21	23¾	4	7½	4
40,000 to 50,000	65	28½	28½	30¾	22¾	41½	19½	16 to 21	29	4¾	7½	4
65,000 to 100,000	110	30	42	36¼	32	43	19½	18 to 28	28½	4	7½	4
<b>STEEL RECEIVER MODELS VCSS, VJSS, VESS</b>												
1,000 to 15,000	21	18	24	26⅞	16⅞	31	9 or Top	16 to 19	19	4	6	4
20,000 to 30,000	45	24	24	26⅞	22⅞	37	15½ or Top	16 to 21	25	4	6	4
40,000 to 50,000	65	24	24	26⅞	22⅞	37	21½ or Top	16 to 21	30½	4	6	4
65,000 to 100,000	110	30	42½	45	25	43	17 or Top	18 to 28	27	4	11	4

The specifications contained in this bulletin were effective at the time of publishing. Lockwood Products, Inc. reserves the right to discontinue products at any time or to change specifications or design without incurring any obligation.

**LOCKWOOD PRODUCTS, INC.**

4450 Commerce Drive, S.W.  
P.O. Box 43961  
Atlanta, Georgia 30336  
Local (404) 505-2520 • WATS (800) 365-1500 • FAX (404) 505-2518